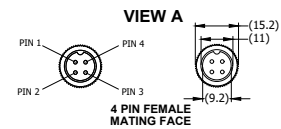
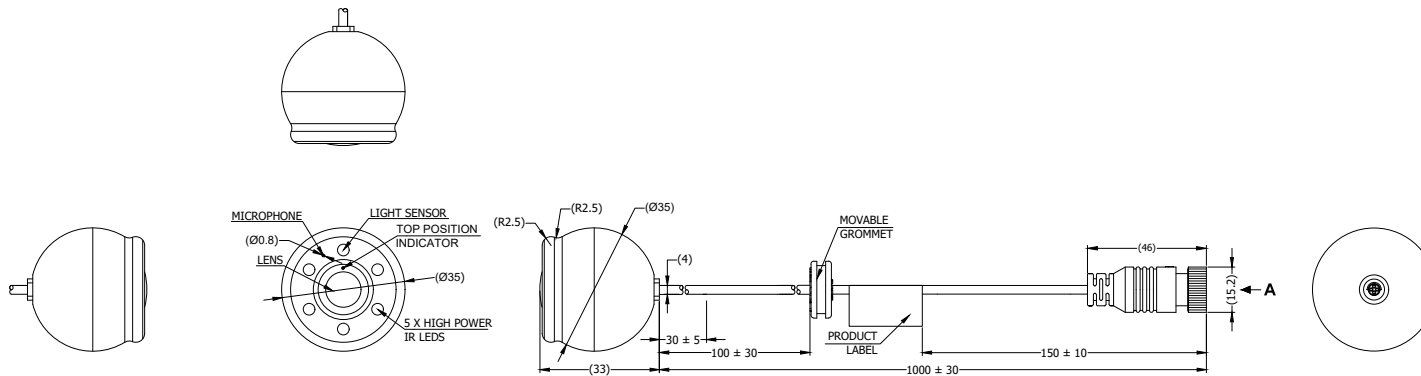


PART NO.	MODEL NO.	BRIEF DESCRIPTION
5458	VBV-3000C-C	MIRROR IMAGE / AHD 720P 25fps CAMERA
5460	VBV-3020C-C	NORMAL IMAGE / AHD 720P 25fps CAMERA
5459	VBV-3001C-C	MIRROR IMAGE / AHD 720P 30fps CAMERA
5461	VBV-3021C-C	NORMAL IMAGE / AHD 720P 30fps CAMERA

Revision Notes				
R1 -				
APA: -	Drawn:-	Checked:-	Approved:-	Date: -



PIN #	WIRE COLOUR	DESCRIPTION
1	RED	+12V
2	BLACK/SHIELD	GND
3	WHITE	AUDIO
4	YELLOW	VIDEO (AHD)

- NOTES:**
- REFER TO PRODUCT SPECIFICATION FOR PRODUCT DETAILS.
 - REFER TO COMPONENT DRAWINGS FOR COMPONENT DETAILS.
 - FOR PACKAGING AND LABELING DETAIL REFER TO LATEST REVISION OF THE MASTER BOM.

PROPRIETARY NOTICE
THIS DESIGN AND TECHNICAL INFORMATION APPEARING ON THIS DRAWING IS THE PROPERTY OF BRIGADE ELECTRONICS, AND IS DISCLOSED IN CONFIDENCE. IT IS NOT TO BE COPIED, REPRODUCED, REVEALED TO OR EXPROPRIATED BY OTHERS, EITHER IN WHOLE OR IN PART WITHOUT THE EXPRESS WRITTEN CONSENT OF BRIGADE ELECTRONICS.

BRIGADE®
www.brigade-electronics.com

Assembly PI Approval J.LAM (STONKAM)	Approved by R.PENTLEY	Checked by S.LAVER	Drawn by C.WALKER
Angle of Projection	Units mm	Scale N/A	Released 29/01/19
Third Angle	Status RELEASE	VBV-30XX-C SERIES	
	Part No SEE TABLE	BE-003896-00-18	